

8" - STAINLESS STEEL OPTICAL DRIVING LIGHT

PART NO.: 1001-0705-C & 1001-0705-C-12



www.boremanltd.com



Product Features:

- 8" - (203mm) Stainless Steel Spot Lamp
- Polished Stainless Steel Housing
- High Impact Chromed Stone Guard
- Hardened Glass Lens
- Dual Voltage: 12V & 24V
- Advanced technology multi-surface aluminium reflector
- Wide Beam Pattern for greater vision and safer driving
- Complete with Bulbs and Wiring Harness
- Complete with Position Light
- Steel Mounting Bracket: Zinc-Plated
- Halogen Bulb: H3 12V 55W & H3 24V 70W
- ECE Approved: 04 HR E11 30 8393
- RoHS Approved
- 1 Year Warranty
- Weight: 1.1kg

Hardened Glass Lens



Polished Stainless Steel Housing

High Impact Chromed Stone Guard

Information:



Part No.:	Description:	Driving Light:	Supply:	Mounting Bracket:	Lens:	Beam Pattern:
1001-0705-C	Stainless Steel Optical Driving Light	Position	12V & 24V	Steel Mounting	Hardened Glass Lens	Wide



Available from your nearest dealer

www.boremanltd.com | info@boremanltd.com | Tel: +353 49 4367049

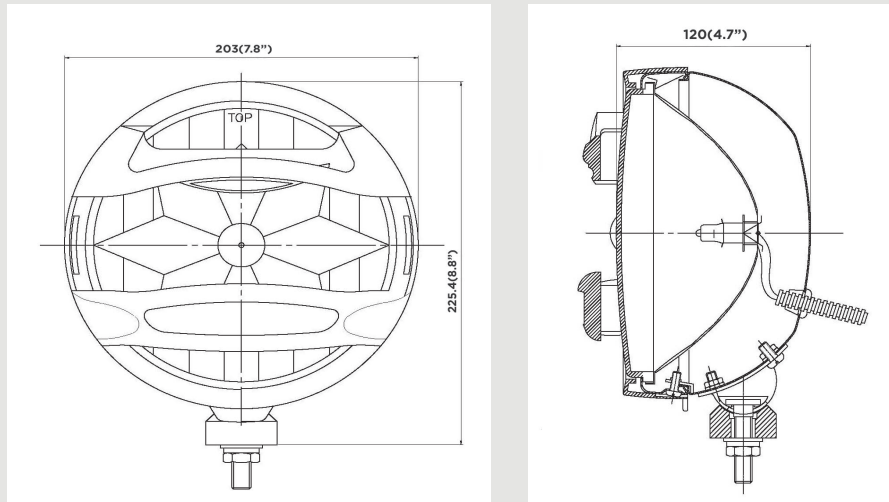
8" - STAINLESS STEEL OPTICAL DRIVING LIGHT

PART NO.: 1001-0705-C & 1001-0705-C-12

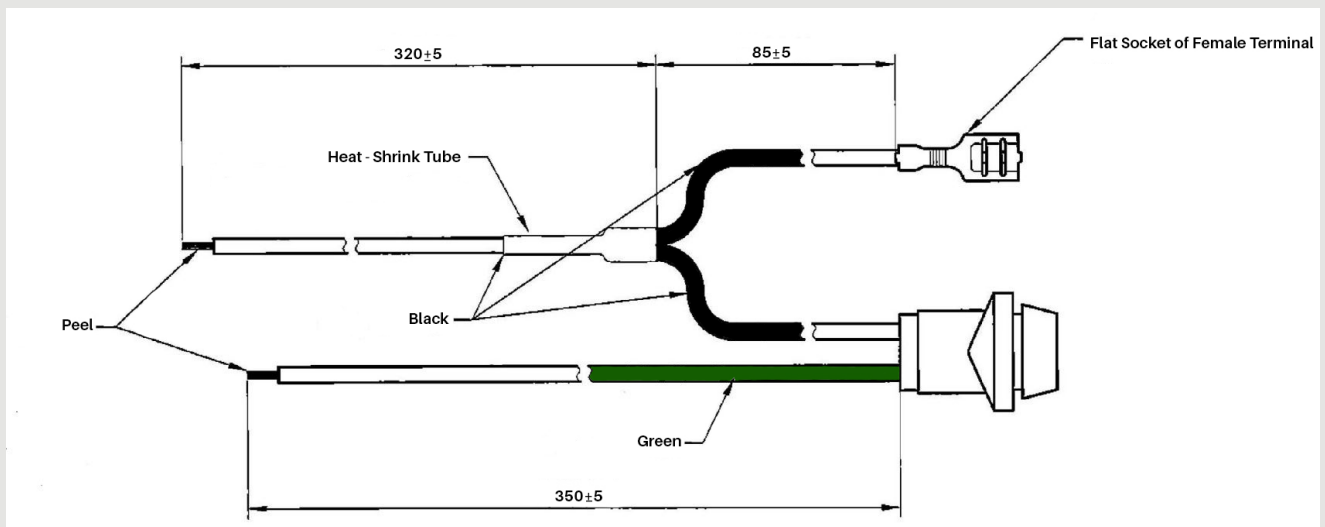


www.boremanltd.com

Dimensions:



Wiring Protocol:



Beam Pattern:

